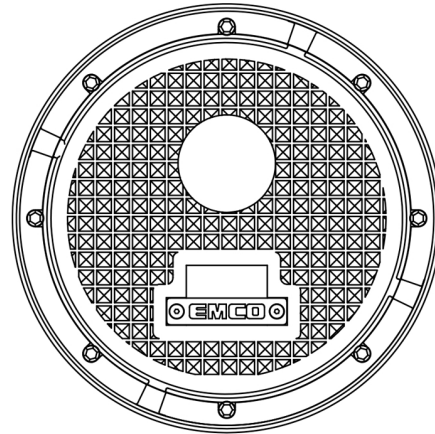


# A1005-518AW-DEF

## Single Wall Stainless Steel

### Spill Containment



#### Specifications

- Replaceable; easily repair or replace primary unit from grade without breaking concrete
- 5 gal capacity
- Screw-on
- Weights: Lid: 6.6 lbs; Total: 68 lbs

#### Materials

- Stainless steel rim with composite blue segments
- Composite water resistant lid with built-in handle, exclusive triple wiper seal and vent valve; blue with DEF ID tag

#### Application

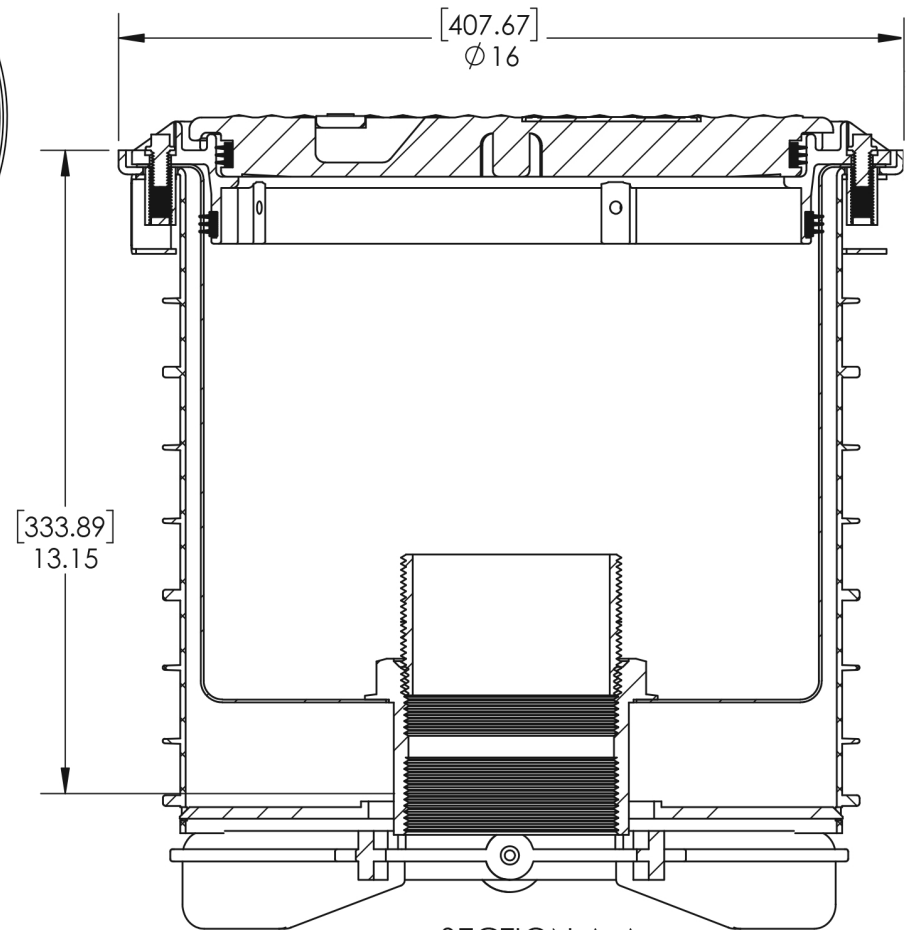
- Grade level
- Installs 16" on center

#### Components

- Welded base

#### Approvals

- ULC Listed MH21149
- FL DEP # EQ-524
- Lid meets H20 Load Rating



SECTION A-A  
SCALE 1 : 4

© 2019 Emco Wheaton Retail Corporation



EMCO WHEATON RETAIL CORP.  
2300 INDUSTRIAL PARK DRIVE  
WILSON, N.C. 27893  
[emcoretail.com](http://emcoretail.com)

**DO NOT SCALE DRAWING-WORK TO DIMENSIONS SHOWN**  
DIMENSIONS ARE IN INCHES (DIMENSIONS IN BRACKETS ARE IN MILLIMETERS)

UNLESS OTHERWISE SPECIFIED

DECIMALS	.XX ± .015	.XXX ± .005	ANGLES
X ± .030			± 1°
CASTING TOLERANCES TO INDUSTRY STANDARDS			
MACHINED SURFACES 125 RMS REMOVE ALL BURRS			

THE INFORMATION AND DESIGN DISCLOSED BY AND THE COPYRIGHT IN THIS DRAWING ARE THE PROPERTY OF EMCO WHEATON RETAIL CORP. AND CANNOT BE USED WITHOUT WRITTEN PERMISSION.

SYM	REVISIONS	DATE	BY

PART DESCRIPTION  
ALL SST SCREW-ON  
COMPOSITE LID FOR DEF

SIZE	DRAWING NUMBER.	PAGE	REV.
A	A1005-518AW-DEF	1/1	A

DRAWN BY	DATE	USED ON	CASTING NUMBER
GEB	8/5/19	N/A	