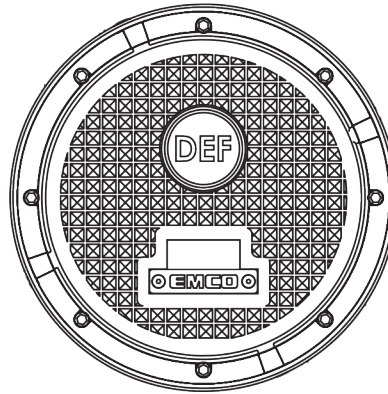


A1005-518GW2DEF

Double Wall Stainless Steel Spill Containment



Specifications

- Replaceable; easily repair or replace primary & secondary units from grade without breaking concrete
- 5 gal capacity
- Screw-on
- Weights: Lid: 6.6 lbs; Total: 98 lbs

Materials

- Stainless steel rim with composite blue segments
- Composite water resistant lid with built-in handle, exclusive triple wiper seal and vent valve; blue with DEF ID tag

Application

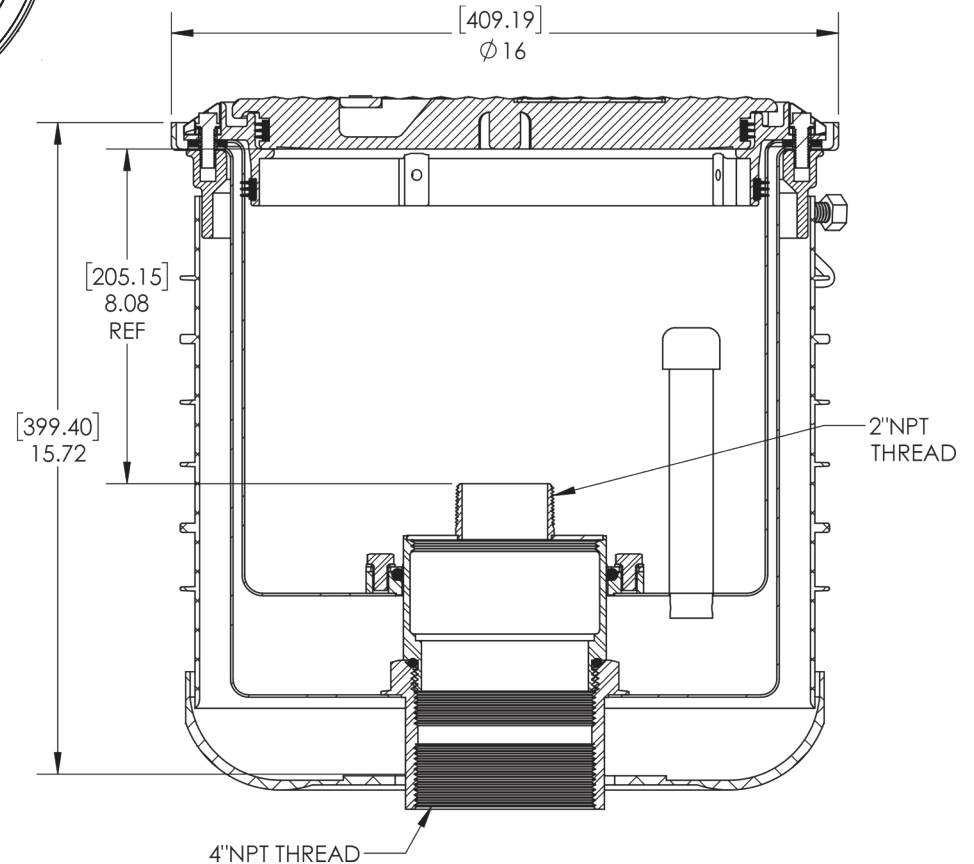
- Grade level
- Installs 16" on center

Components

- EZ-Gage to monitor interstitial space at a glance
- Welded base
- 4" female, 2" male fittings

Approvals

- ULC Listed MH21149
- FL DEP # EQ-524
- Lid meets H20 Load Rating



© 2017 Emco Wheaton Retail Corporation



EMCO WHEATON RETAIL CORP.
2300 INDUSTRIAL PARK DRIVE
WILSON, N.C. 27893
emcoretail.com

DO NOT SCALE DRAWING-WORK TO DIMENSIONS SHOWN
DIMENSIONS ARE IN INCHES (DIMENSIONS IN BRACKETS ARE IN MILLIMETERS)

UNLESS OTHERWISE SPECIFIED

DECIMALS .X ± .030 .XX ± .015 .XXX ± .005 ANGLES ± 1°
CASTING TOLERANCES TO INDUSTRY STANDARDS
MACHINED SURFACES 125 RMS REMOVE ALL BURRS

THE INFORMATION AND DESIGN DISCLOSED BY AND THE COPYRIGHT IN THIS DRAWING ARE THE PROPERTY OF EMCO WHEATON RETAIL CORP. AND CANNOT BE USED WITHOUT WRITTEN PERMISSION.

DRAWN BY

GEB

DATE

7/12/18

USED ON

CASTING NUMBER

SYM	REVISIONS	DATE	BY

PART DESCRIPTION

SST DW THREAD-ON, COMP LID 2" NPT
BLUE/DEF

SIZE	DRAWING NUMBER	PAGE	REV.
A	A1005-518GW2DEF	1/1	D

A **A1005-518GW2DEF** **1/1** **D**