

A1005-915 Below Grade Stainless Steel Spill Containment

Specifications

- Replaceable; easily repair or replace from grade without breaking concrete
- 15 gal capacity
- Screw-on
- Weights: Lid: 13.5 lbs; Total: 97.8 lbs

Materials

- Grade level lid is composite water resistant with built-in handle, exclusive triple wiper seal and vent valve
- Below grade lid is cast iron water resistant with built-in handle, exclusive triple wiper seal and vent valve

Application

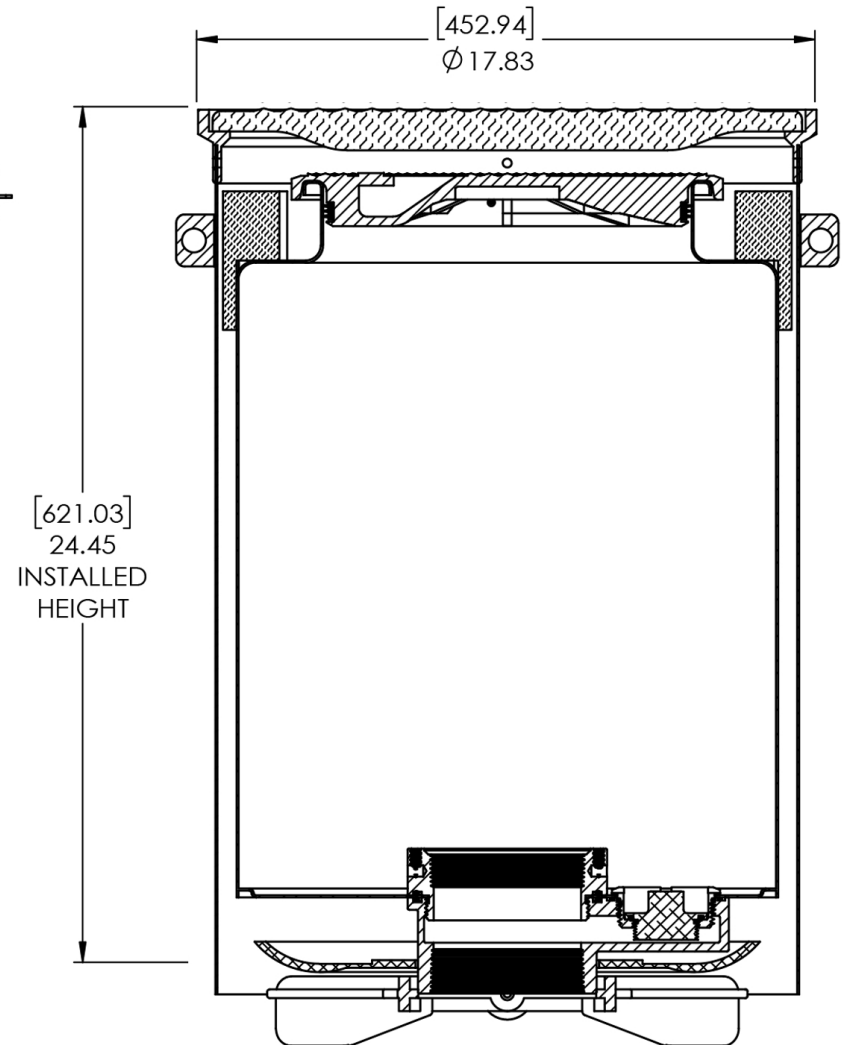
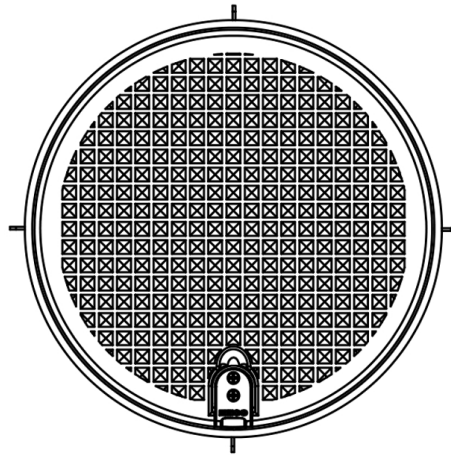
- Below grade

Components

- Removeable drain plug

Approvals

- ULC Listed MH21149
- Lid meets H20 Load Rating



© 2017 Emco Wheaton Retail Corporation

EMCO [®]		EMCO WHEATON RETAIL CORPORATION 2300 INDUSTRIAL PARK DRIVE WILSON, N.C. 27893					
<input type="checkbox"/> DO NOT SCALE DRAWING—WORK TO DIMENSIONS SHOWN <small>DIMENSIONS ARE IN INCHES (DIMENSIONS IN BRACKETS ARE IN MILLIMETERS)</small>				SYM	REVISIONS	DATE	BY
UNLESS OTHERWISE SPECIFIED DECIMALS ANGLES .X ± .030 .XX ± .015 .XXX ± .005 ± 1° <small>CASTING TOLERANCES TO INDUSTRY STANDARDS MACHINED SURFACES 125 RMS REMOVE ALL BURRS</small>		DRAWN BY GEB	DATE 11/19/14	USED ON N/A	PART NAME SPILL CONT. BELOW GRADE 15 GAL SST		
<small>THE INFORMATION AND DESIGN DISCLOSED BY AND THE COPYRIGHT IN THIS DRAWING ARE THE PROPERTY OF EMCO WHEATON RETAIL CORP. AND CANNOT BE USED WITHOUT WRITTEN PERMISSION.</small>		CHECKED BY	DATE	PROJECT NUMBER			
		APPROVED BY	DATE	SCALE N/A	WEIGHT	SIZE	DRAWING NUMBER.
		MATERIAL N/A		CASTING NUMBER	D A1005-915	REV.	E